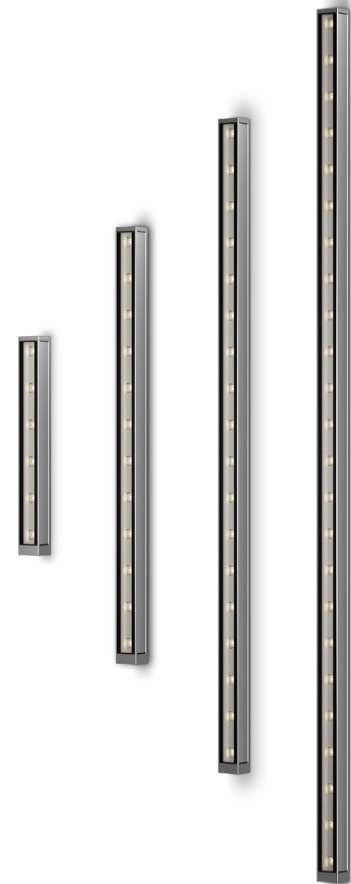


DESCRIPTION

CHIRON is a high-efficiency, compact linear luminaire designed for wall washing, uplighting, and floodlighting effects. Its surface-mounted thin profile offers a neat solution for narrow spaces. With up to four unique lengths and several optical distributions, CHIRON can be used for a multitude of applications, ranging from recessed step and accent lighting to facade illumination. The anodized aluminum finish provides a distinct upscale appearance that discreetly complements its surroundings. CHIRON is available in three static white color temperatures: 2700K, 3000K, and 4000K, as well as in RGBW and dynamic white models.



Date: _____ Type: _____ Catalog Number: _____

Project Name: _____

ORDERING INFORMATION

| LUMINAIRE | | | | |
|--|---------------------|--|---|---|
| MODEL | CCT | VOLTAGE | OPTIC | OPTION |
| CHRN1-BR Chiron 1 B 12.2" | 27K 2700K | 48V Constant Voltage 48VDC via Remote Power Supply | SP Spot 18° | AST Anti-Saline Treatment |
| CHRN2-BR Chiron 2 B 24.5" | 30K 3000K | | NB Narrow 22° | LVR Internal Honeycomb Louver |
| CHRN3-BR Chiron 3 B 36.8" | 40K 4000K | | MB Medium 32° | |
| CHRN4-BR Chiron 4 B 49.1" | | | WB Wide 54° (8° Incline) | |
| | | | EW Extra-Wide 60° | |
| | | | ELH Elliptical Horizontal 40° x 22° | |
| | | | WW Wall Wash 32° x 23° | |



Custom solutions are available; consult factory via phone at (864) 487-3535 ext. 258 or via email at DesignServices@EXP-Brands.com.

See Page 3 for ordering information of required and available accessories.

| | | CHIRON 1 B | CHIRON 2 B | CHIRON 3 B | CHIRON 4 B |
|----------|-----------------------|--|---------------------------|---------------------------|---------------------------|
| PHYSICAL | HOUSING | Die-Cast Aluminum | | | |
| | LENS | Tempered Glass | | | |
| | FINISH | Anodized Aluminum | | | |
| | MOUNTING | Surface Mount With Available Accessories (see page three for more information) | | | |
| | DRIVER LOCATION | Remote Driver (Ordered Separately) | | | |
| | DIMENSIONS | 12.2" L x 1.4" W x 1.2" H | 24.5" L x 1.4" W x 1.2" H | 36.8" L x 1.4" W x 1.2" H | 49.1" L x 1.4" W x 1.2" H |
| | WEIGHT | 1.2 Pounds | 2.4 Pounds | 3.5 Pounds | 4.8 Pounds |
| | OPERATING TEMPERATURE | -40°F to 122°F (-40°C to 50°C) | | | |

| | | | | | |
|------------|---------------|---------------------------------|------------|------------|------------|
| ELECTRICAL | POWER | 14.4 Watts | 28.8 Watts | 43.2 Watts | 57.6 Watts |
| | INPUT VOLTAGE | 48VDC | | | |
| | CONTROL | Control via Remote Power Supply | | | |
| | CABLE | Power In | | | |
| | CABLE LENGTH | 19.7" | | | |

| | | | | | |
|-------------|---------------------------|--------------------------------------|--|--|--|
| PHOTOMETRIC | LED | Static White 2700K, 3000K, or 4000K | | | |
| | LUMEN MAINTENANCE | L90 > 60,000 Hours* | | | |
| | LIGHT CONTROL ACCESSORIES | Internal Honeycomb Louvers Available | | | |

| LIGHT DISTRIBUTIONS | DISTRIBUTION | BEAM ANGLE | CHIRON 1 B | | CHIRON 2 B | | CHIRON 3 B | | CHIRON 4 B | |
|---------------------|------------------|------------|------------|----------|------------|----------|------------|----------|------------|----------|
| | | | LUMENS | EFFICACY | LUMENS | EFFICACY | LUMENS | EFFICACY | LUMENS | EFFICACY |
| | | | SPOT | 18° | 1280 | 89 | 2560 | 89 | 4130 | 89 |
| NARROW | 22° | 1302 | 90 | 2570 | 90 | 3873 | 90 | 5219 | 90 | |
| MEDIUM | 32° | 1314 | 91 | 2629 | 91 | 3944 | 91 | 5259 | 91 | |
| WIDE | 54° (8° Incline) | 1247 | 86 | 2493 | 86 | 3740 | 86 | 4987 | 86 | |
| EXTRA WIDE | 60° | 1022 | 71 | 2044 | 71 | 3066 | 71 | 4087 | 71 | |
| ELLIPTICAL | 40° x 22° | 1250 | 87 | 2498 | 87 | 3748 | 87 | 4997 | 87 | |
| WALL WASH | 32° x 23° | 1287 | 89 | 2574 | 89 | 3862 | 89 | 5149 | 89 | |

Values based on full output at 3000K.

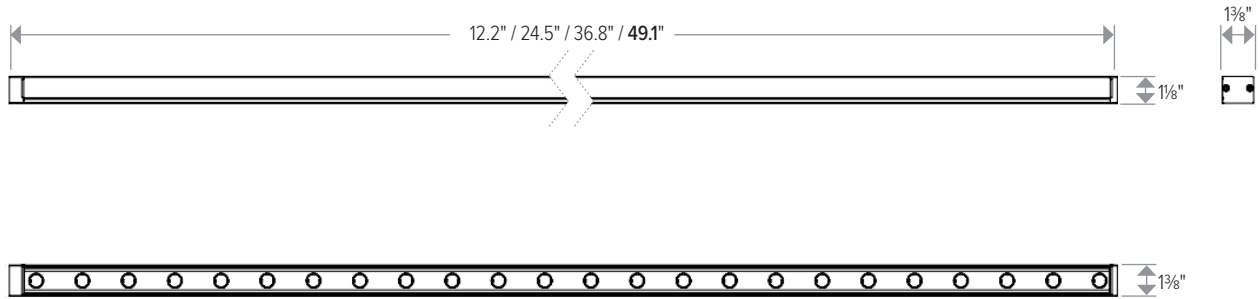
| | | | | | |
|----------------|--------------------|----------------------------|--|--|--|
| CERTIFICATIONS | SAFETY | ETL Certification | | | |
| | INGRESS PROTECTION | IP67 | | | |
| | IMPACT RATING | IK07 | | | |
| | WARRANTY | Five Year Limited Warranty | | | |



* LED life may vary under actual field conditions due to external factors. Lifetime estimates are generated from actual testing in a controlled environment. Values are conservatively derived from those numbers.

DIMENSIONS

All dimensions are shown in inches unless otherwise noted.



ACCESSORIES

NOTE: Accessories are ordered and shipped separately from luminaire for field installation.



CHR1-VISOR
Visor for Chiron 1



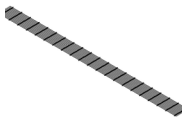
CHR2-VISOR
Visor for Chiron 2



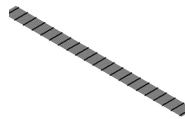
CHR3-VISOR
Visor for Chiron 3



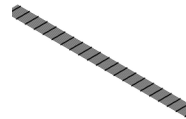
CHR4-VISOR
Visor for Chiron 4



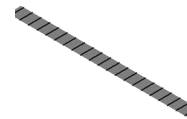
CHR1-LVR
Louver for Chiron 1



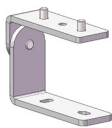
CHR2-LVR
Louver for Chiron 2



CHR3-LVR
Louver for Chiron 3



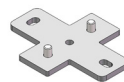
CHR4-LVR
Louver for Chiron 4



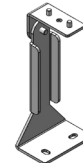
CHR-ADJ-MNT-BRKT
(2) Adjustable Mounting Brackets



CHR-EXT-ADJ-MNT-BRKT
(2) 3.3" Extended Adjustable Mounting Brackets



CHR-FLT-MNT-BRKT
(2) Flat Mounting Brackets



CHR-SP-MNT-BRKT
(2) 6.3" Mounting Brackets for Spot Luminaires Only

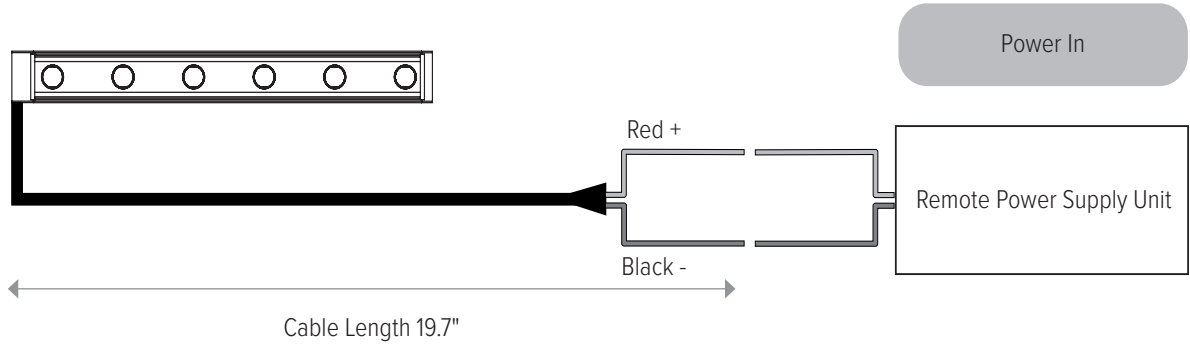


IR-CONFIG-REMOTE

Infrared DMX Configuration Remote

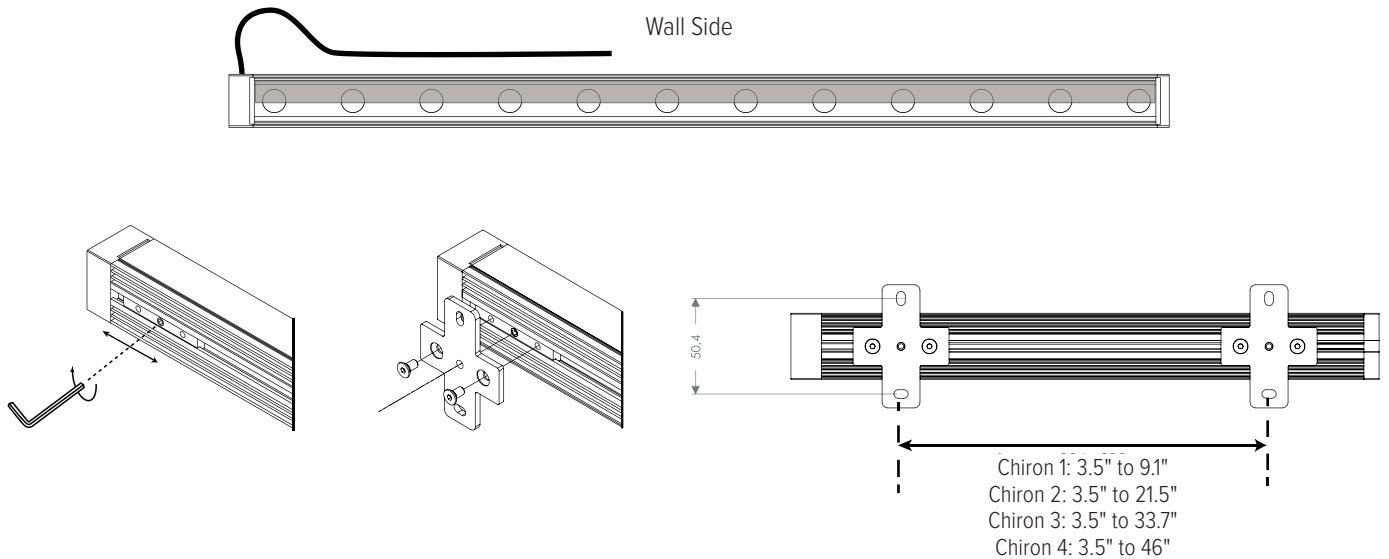
Consult factory for available remote power supply units.

CABLE



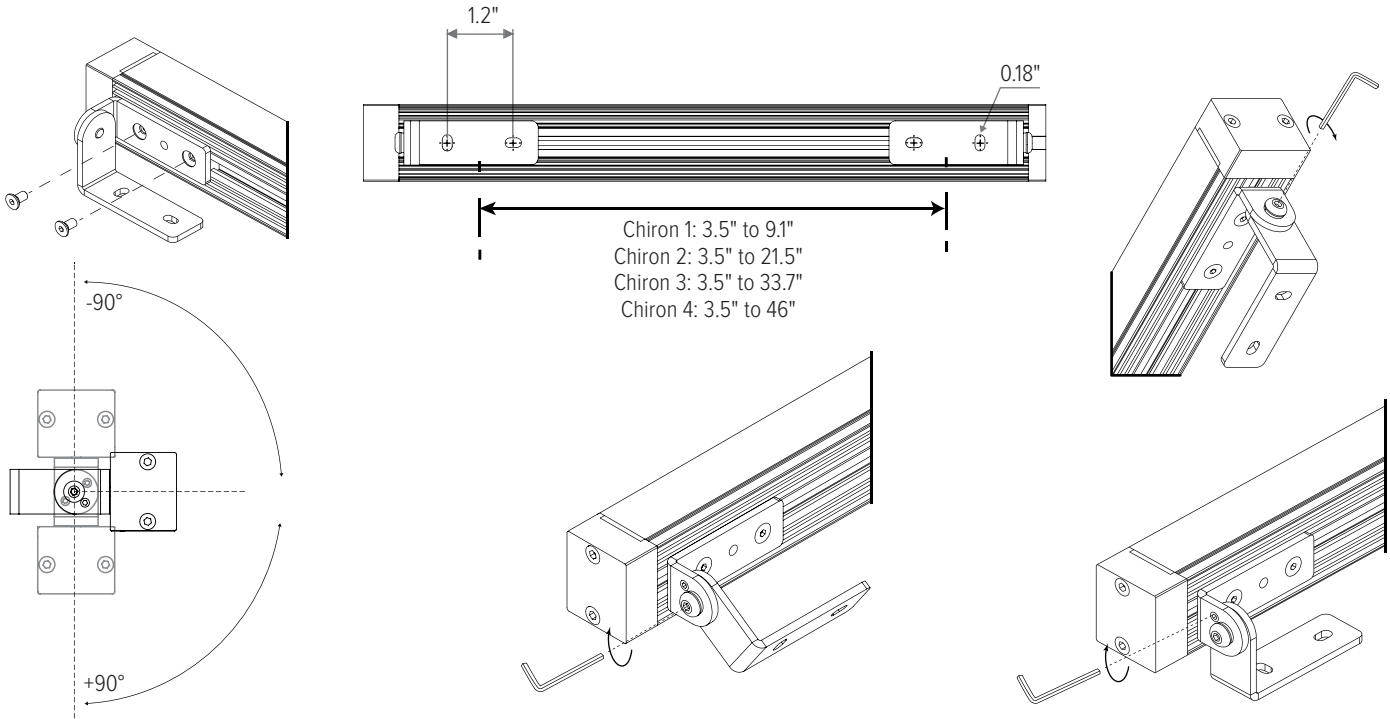
MOUNTING

Flat Mounting Brackets | CHRN-FLT-MNT-BRKT

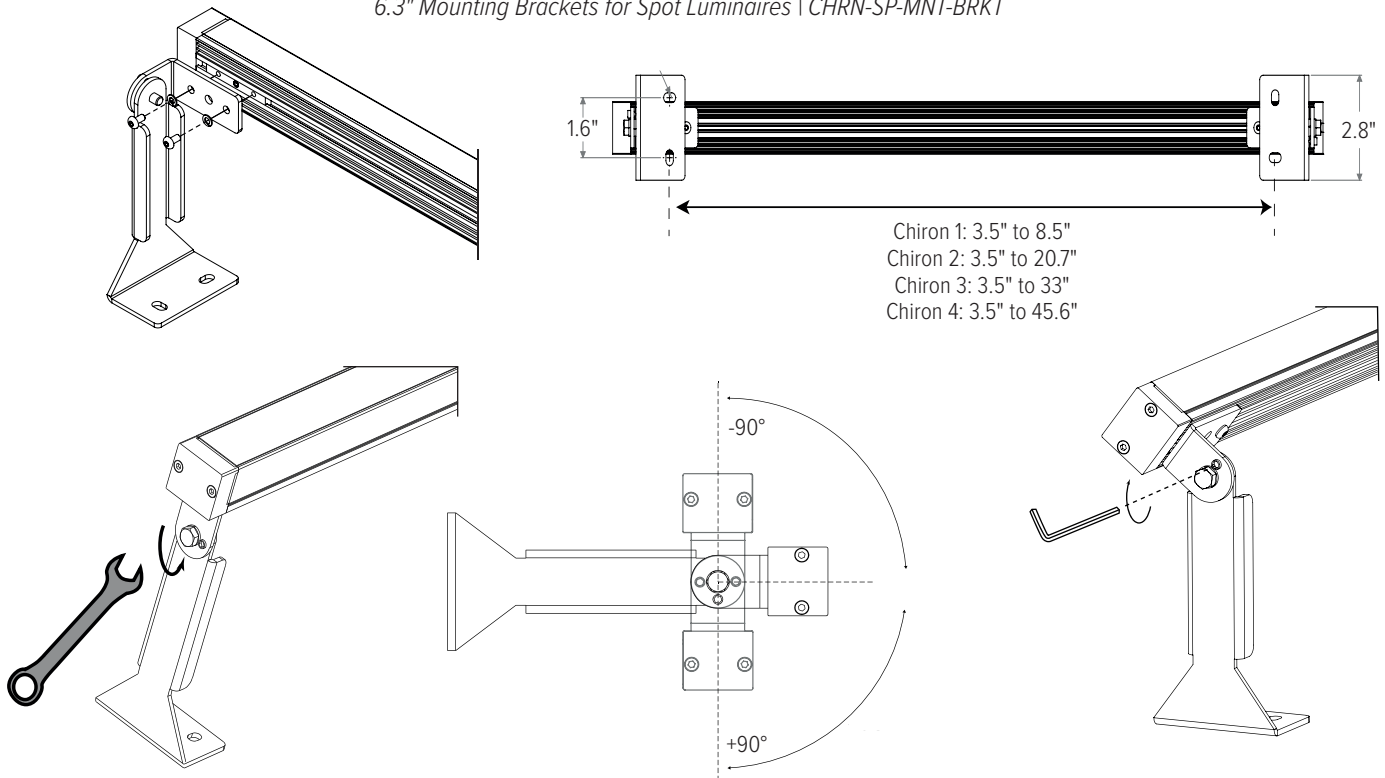


MOUNTING

Adjustable Mounting Brackets | CHRN-ADJ-MNT-BRKT



6.3" Mounting Brackets for Spot Luminaires | CHRN-SP-MNT-BRKT



CUSTOMIZE YOUR EXPERIENCE.

At Experience Brands, we believe every space deserves unique lighting elements. We proudly specialize in crafting solutions that reflect your personal vision. Our expert team is here to collaborate with you to design and implement customized features that elevate your environment.

Ready to Get Started? Email us at: DesignServices@exp-brands.com