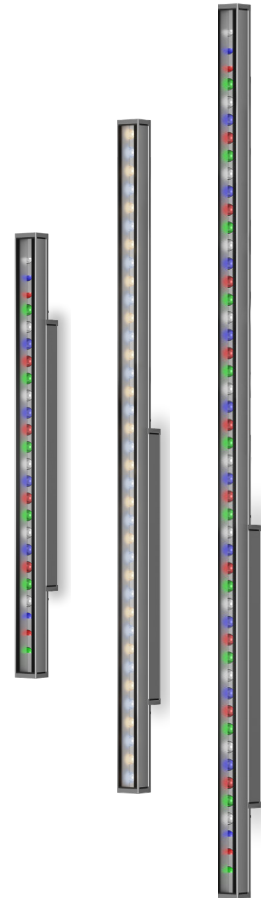


DESCRIPTION

CHIRON is a high-efficiency, compact linear luminaire designed for wall washing, uplighting, and floodlighting effects. Its surface-mounted thin profile offers a neat solution for narrow spaces. With up to four unique lengths and several optical distributions, CHIRON can be used for a multitude of applications, ranging from recessed step and accent lighting to facade illumination. The anodized aluminum finish provides a distinct upscale appearance that discreetly complements its surroundings. CHIRON is available in three static white color temperatures: 2700K, 3000K, and 4000K, as well as in RGBW and dynamic white models.



Date: _____ Type: _____ Catalog Number: _____

Project Name: _____

ORDERING INFORMATION

LUMINAIRE						
MODEL	CCT	CONTROL	CABLE	VOLTAGE	OPTIC	OPTION
CHRN2 Chiron 2 23"	RGBW30K RGBW 3000K White	DMX-RDM DMX/RDM	M Monocable Without Connectors	48V Constant Voltage 48VDC	NB Narrow 19°	AST Anti-Saline Treatment
CHRN3 Chiron 3 34"	RGBW40K RGBW 4000K White				MB Medium 30°	LVR Internal Honeycomb Louver
CHRN4 Chiron 4 45"	DW Dynamic White (2700K to 6500K)				EW Extra-Wide 63°	
					EL1 Elliptical Horizontal 53° x 16°	
					EL2 Elliptical Horizontal 62° x 38°	
					EL3 Elliptical Horizontal 67° x 21°	
					WW Wall Wash 30° x 19° (2° Incline)	

Custom options are available, consult factory via phone at (864) 487-3535 ext. 258 or via email at DesignServices@EXP-Brands.com.

See Page 3 for ordering information of available accessories.

		CHIRON 2	CHIRON 3	CHIRON 4
PHYSICAL	HOUSING	Extruded Aluminum		
	LENS	Tempered Glass		
	HARDWARE	Grade A2 Stainless Steel		
	FINISH	Anodized Aluminum; Anti-Saline Treatment Available		
	MOUNTING	Surface Mount With Available Accessories (see page three for more information) Adjustable Mounting Angle +/- 90°		
	DRIVER LOCATION	Bottom Mounted		
	DIMENSIONS	23" L x 1.4" W x 2.1" H	34" L x 1.4" W x 2.1" H	45" L x 1.4" W x 2.1" H
	WEIGHT	2.6 Pounds	3.7 Pounds	4.6 Pounds
	OPERATING TEMPERATURE	-40°F to 122°F (-40°C to 50°C)		

ELECTRICAL	POWER	28 Watts	40 Watts	50 Watts
	INPUT VOLTAGE	48VDC		
	CONTROL	DMX/RDM		
	CABLE	Monocable Without Connectors		
	CABLE LENGTH	13" In, 1.2' Out	13" In, 2.2' Out	13" In, 3.1' Out
	CONNECTION KIT	Catalog # GRIVEN-CON-KIT-8324		

PHOTOMETRIC	LED	RGBW 3000K or 4000K White; Dynamic White (2700K to 6500K)	
	LUMEN MAINTENANCE	L90 > 60,000 Hours*	
	LIGHT CONTROL ACCESSORIES	Internal Honeycomb Louvers Available	

LIGHT DISTRIBUTIONS	DISTRIBUTION	BEAM ANGLE	CHIRON 2		CHIRON 3		CHIRON 4	
			LUMENS	EFFICACY	LUMENS	EFFICACY	LUMENS	EFFICACY
			RGBW 3000K					
	NARROW	19°	1228	44	1720	44	2206	44
	MEDIUM	30°	1202	43	1682	43	2156	43
	EXTRA-WIDE	63°	1134	40	1564	40	2005	40
	ELLIPTICAL 1	53° X 16°	1204	43	1679	43	2153	43
	ELLIPTICAL 2	62° X 38°	1157	42	1602	42	2054	42
	ELLIPTICAL 3	67° X 21°	1170	41	1640	41	2103	41
	WALL WASH	30° X 19° (2° INCLINE)	1317	47	1837	47	2356	47
RGBW 4000K								
	NARROW	19°	1266	45	1764	45	2261	45
	MEDIUM	30°	1239	44	1727	44	2213	44
	EXTRA-WIDE	63°	1169	42	1628	42	2087	42
	ELLIPTICAL 1	53° X 16°	1240	44	1728	44	2216	44
	ELLIPTICAL 2	62° X 38°	1194	43	1662	43	2131	43
	ELLIPTICAL 3	67° X 21°	1205	43	1679	43	2153	43
	WALL WASH	30° X 19° (2° INCLINE)	1358	48	1892	48	2426	48

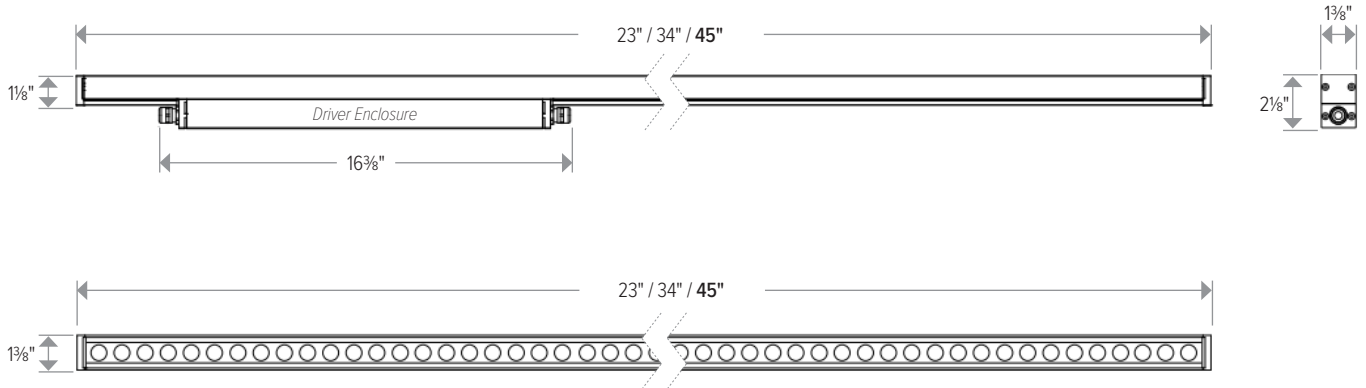
Values based on full output.

NOTE: Final Dynamic White photometry is pending.

CERTIFICATIONS	SAFETY	ETL Certification	
	INGRESS PROTECTION	IP67	
	IMPACT RATING	IK06	
	WARRANTY	Five Year Limited Warranty	

DIMENSIONS

All dimensions are shown in inches unless otherwise noted.



ACCESSORIES

NOTE: Accessories are ordered and shipped separately from luminaire for field installation.



CHR1-VISOR
Visor for Chiron 1



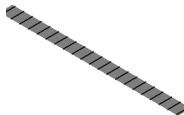
CHR2-VISOR
Visor for Chiron 2



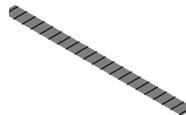
CHR3-VISOR
Visor for Chiron 3



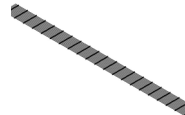
CHR4-VISOR
Visor for Chiron 4



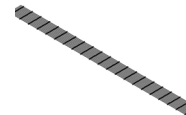
CHR1-LVR
Louver for Chiron 1



CHR2-LVR
Louver for Chiron 2



CHR3-LVR
Louver for Chiron 3



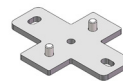
CHR4-LVR
Louver for Chiron 4



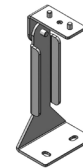
CHR1-ADJ-MNT-BRKT
(2) Adjustable Mounting Brackets



CHR2-EXT-ADJ-MNT-BRKT
(2) 3.3" Extended Adjustable Mounting Brackets



CHR1-FLT-MNT-BRKT
(2) Flat Mounting Brackets

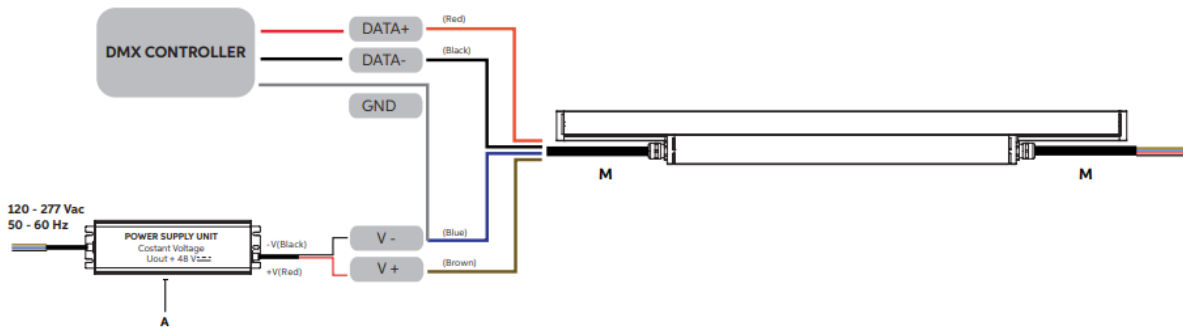


CHR1-SP-MNT-BRKT
(2) 6.3" Mounting Brackets for Spot Luminaires Only

Consult factory for available remote power supply units.

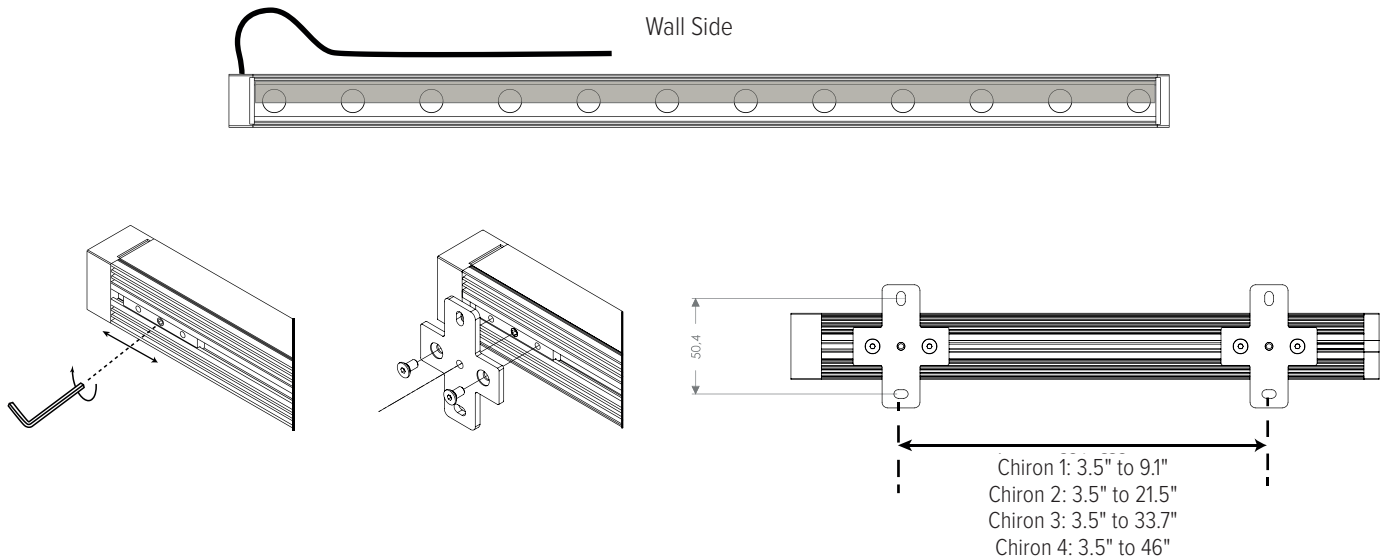
CONNECTION

"M" Cable (Power + DMX In / Power + DMX Out)



MOUNTING

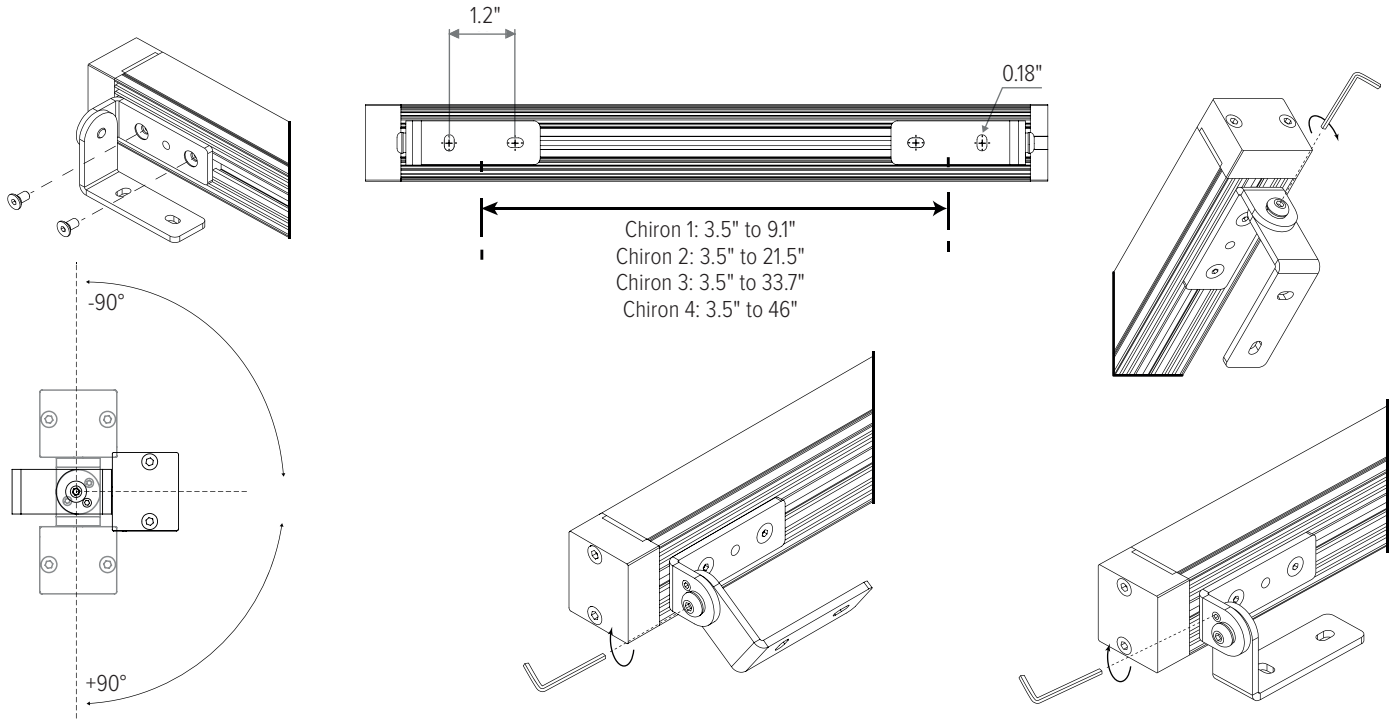
Flat Mounting Brackets | CHRN-FLT-MNT-BRKT



Mounting details are continued on next page.

MOUNTING

Adjustable Mounting Brackets | CHRN-ADJ-MNT-BRKT



6.3\"/>

