

GRAPH-I-CELL

RGB & Static White



DESCRIPTION

GRAPH-I-CELL is a single pixel direct view luminaire that may be grouped in multiple units to display low resolution graphics, videos, or dynamic patterns. The low voltage, self-addressing fixture is die-cast aluminum and features six high brightness LEDs. The fully sealed luminaire operates as an individually controlled node via DMX and integrates into existing architecture with minimal effort and materials. Power and data are combined within a single cable for ease of wiring and interconnection of many units. The IP65 rated luminaire is suitable for a wide range of exterior or interior applications. Monochrome versions are also available on request.



Date: _____ Type: _____ Catalog Number: _____

Project Name: _____

ORDERING INFORMATION

LUMINAIRE						
MODEL	CCT	CONTROL	VOLTAGE	DIFFUSER	FINISH	OPTION
GRPHCL3 Graph-I-Cell 3 Channel	RGB	DMX-RDM	UNV	SD	AG	AST
	RGB	DMX/RDM	100 - 277V	Standard Diffuser	Anthracite Grey	Anti-Saline Treatment
	30K 3000K				BL Black	
	40K 4000K				SG Silver Grey	
					WH White	
					CC Custom RAL Color	

Custom options are available; consult factory for assistance via phone at (864) 487-3535 ext. 258 or via email at DesignServices@EXP-Brands.com.

GRAPH-I-CELL 3		
PHYSICAL	HOUSING	Die-Cast Aluminum and Opaline Polymer Body
	OVERALL DIMENSIONS	5½" L x ø3½"
	WEIGHT	LED Module: 1.15 Pounds Electronic Driver: 8.2 Pounds
	MOUNTING	Two Fastener Tabs per Node for Surface Mounting
	OPERATING TEMPERATURE	-22°F to 104°F (-30°C to 40°C)

ELECTRICAL	POWER	13 Watts Maximum per 1 Module Full RGB 20 Nodes Maximum per Power Supply
	CURRENT	0.11 amps at 120 volts 0.05 amps at 277 volts
	CONTROL	DMX 512-A, 3 DMX Channels, Self-Addressing
	CABLE	5.57' DMX Cable

PHOTOMETRIC	LED	RGB or Static White (3000K or 4000K)
	RESOLUTION	49 pixels/m ²
	LUMINANCE	11,200 cd/m ²
	PIXEL PITCH	5.2" Minimum
	BEAM ANGLE	180°
	DRIVER LOCATION	Remote
	DELIVERED LUMEN OUTPUT	up to 316 lumens RGB
	EFFICACY	up to 24 lumens per watt
	LUMEN MAINTENANCE	L70 > 100,000 Hours at 77°F*
	ADDITIONAL FEATURES	Auto Addressing, Automatic Overtemperature Protection

CERTIFICATIONS	SAFETY	ETL Certified for Wet Locations
	INGRESS PROTECTION	IP66
	IMPACT RATING	IK10
	WARRANTY	Five Year Limited Warranty

CUSTOMIZE YOUR EXPERIENCE.

At Experience Brands, we believe every space deserves unique lighting elements. We proudly specialize in crafting solutions that reflect your personal vision. Our expert team is here to collaborate with you to design and implement customized features that elevate your environment.

Ready to Get Started? Email us at: DesignServices@exp-brands.com

* LED life may vary under actual field conditions due to external factors.

Lifetime estimates are generated from actual testing in a controlled environment. Values are conservatively derived from those numbers.

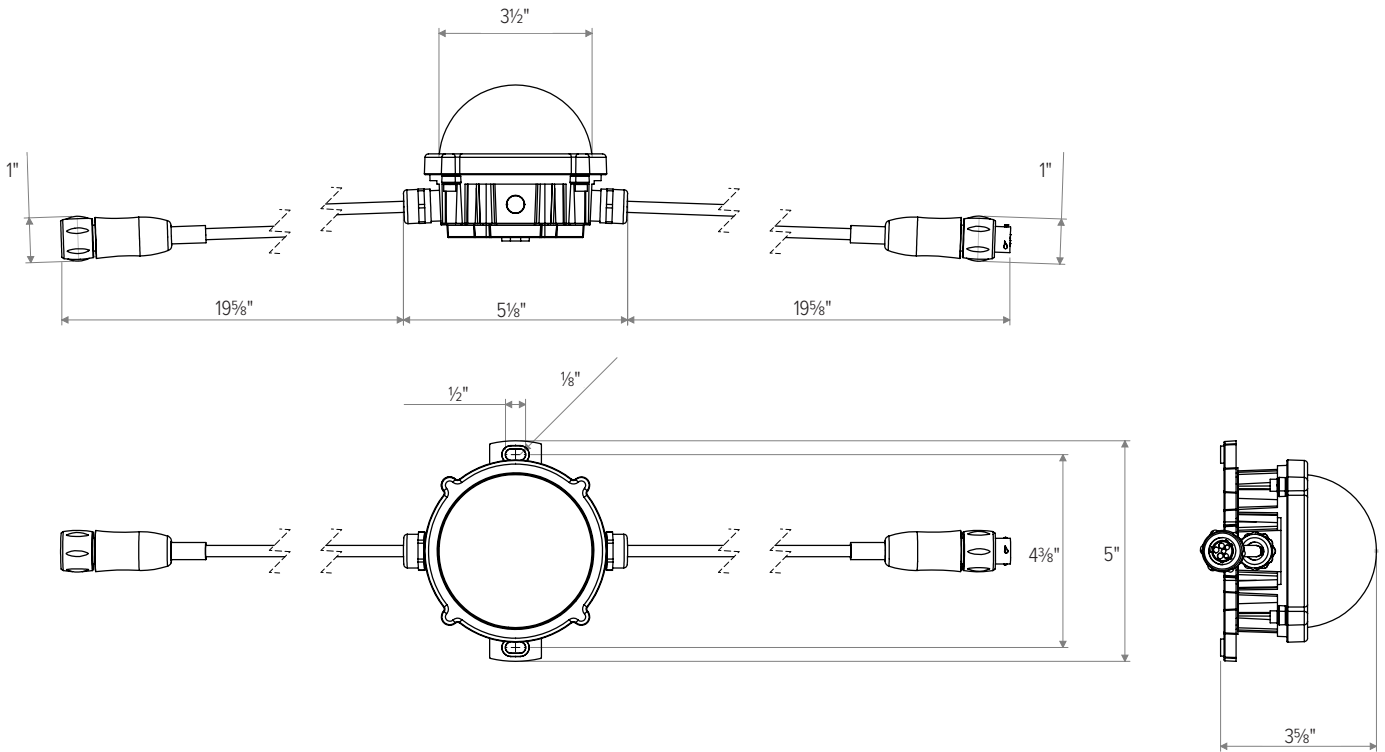
GRAPH-I-CELL

RGB & Static White

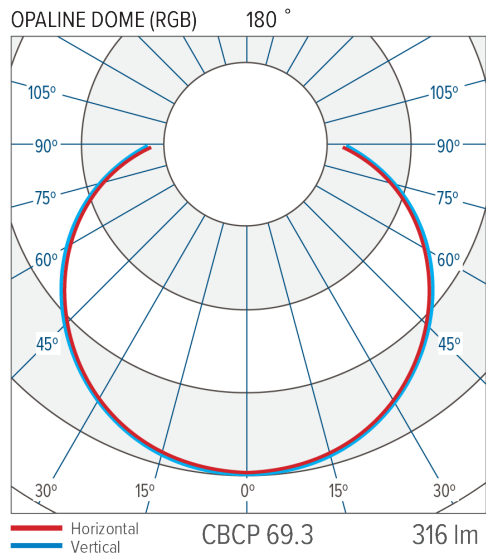


DIMENSIONS

All dimensions are shown in inches unless otherwise noted.

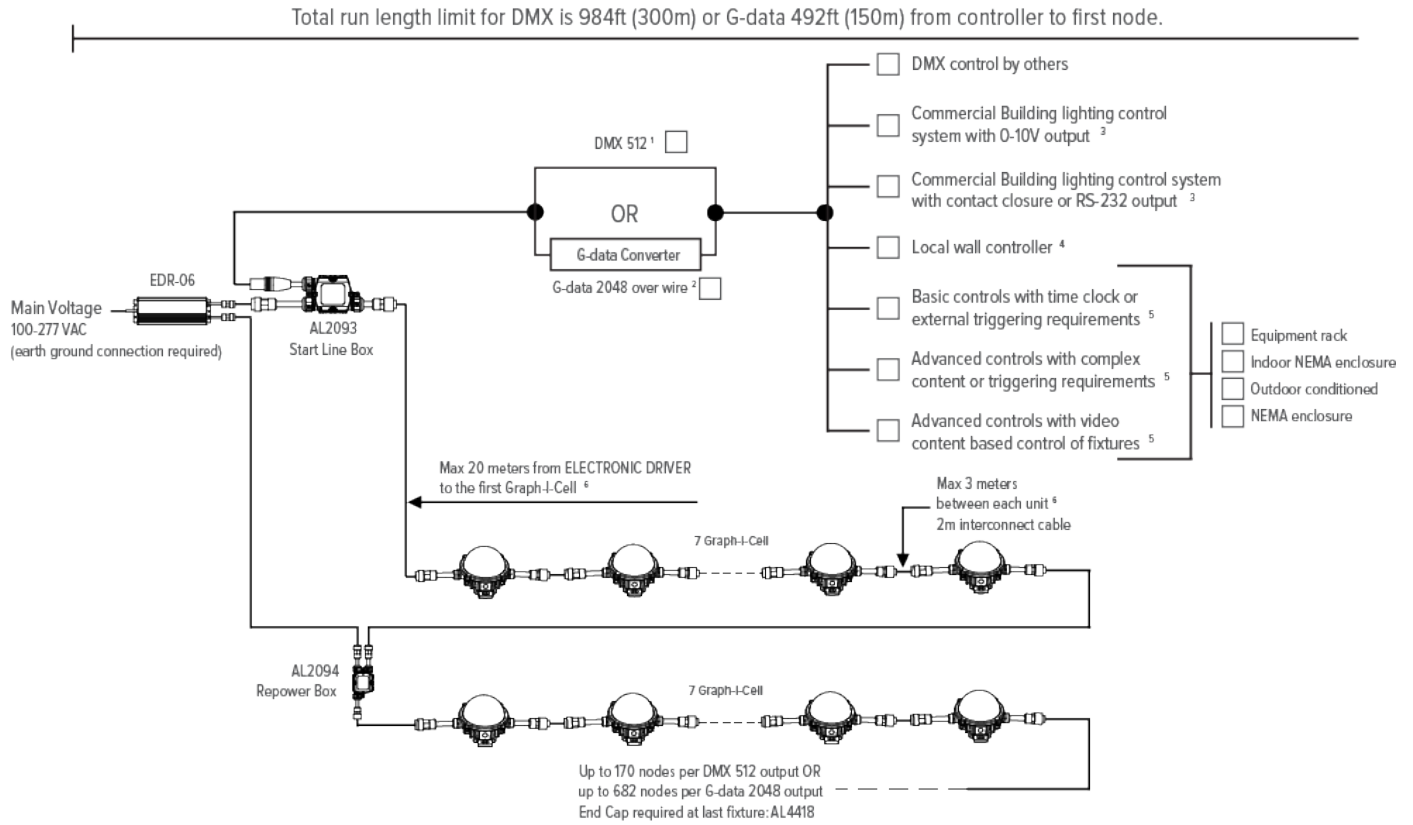


PHOTOMETRICS



CONTROL OPTIONS

Contact manufacturer for control system development.



Additional Control and Installation Solutions are available online; [click here to view available options.](#)